

WIMIPOS PT51

15" PCAP Touchscreen

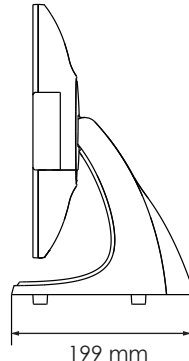
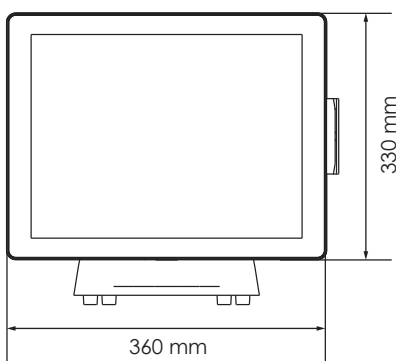


Features

- / Support Intel 7th. Gen. CPU (KabyLake-U) and Celeron J1900/J6412 Processors
- / 15" PCAP Touchscreen
- / IP54 Water and Dust Resistant Front Panel
- / VESA Mount Compliant
- / 3 Track MSR, Customer display and 2nd display monitor Available

Specification

		PT51		
		MA36	MB66	PE24
System	Motherboard	MA36	MB66	PE24
	Processor	Intel Bay Trail CPU Celeron J1900, up to 2.4GHz	Intel KabyLake-U Core i3-7020U/7100U	Intel® Celeron® Processor J6412
	Graphic	CPU Intergrated		
	System Memory	1x DDR3L SO-DIMM up to 8GB	1x DDR4 SO-DIMM up to 16GB	1 x SO-DIMM DDR4 slot, 4GB RAM as standard. Max. memory support up to 16GB
	Storage Device	1 x 128 GB SSD (M.2)		
LCD Touch Panel	LCD Size	15" TFT LCD		
	Brightness	300 nits		
	Resolution	1024 x 768		
	Touch Screen	True-Flat PCAP Multi-Touch		
External I/O Ports	USB	1 x USB 3.0, 7 x USB 2.0	4xUSB 3.0, 4x USB2.0	3 x USB 2.0, 3 x USB 3.1
	COM Port	- COM1/2 (DB-9 RS232, support DC 0V/+5V/+12V by jumper setting, default setting is DC 0V) - COM3 is DB-9, standard COM port	- COM1/2 (DB-9 RS232 supports DC 0V/+5V/+12V, C9 default setting is DC 0V) - COM3 is DB-9, standard COM port	3x COM (COM1/2: RJ48 support DC+0/5/12v by BIOS setting, default setting is 0v. COM3: DB-9)
	LAN	1 x Gigabit Ethernet by RJ-45		
	Cash Drawer	1x RJ11 (2 in 1)		
	VGA	1 x DB-15 (Support DC 0V/+12V by jumper setting. Default setting is DC +12v)	1x DB-15 (support DC 0V/+12V, selectable by BIOS, default setting is DC 0V)	1 x DB-15 VGA port Power enable by BIOS setting (default disable)
	DC Jack	1x DC+12V jack with locked Screw		
	Type-C	N/A		
	Power Button	1		
	Internal Speaker	N/A	1 x 2w (Option)	2 x 2w (Option)
	Indicator	LED Indicator	1 for Power LED	
Peripheral (Option)	Power Adapter	60W / DC+12V input		DC+19V, 65watt adaptor
	MSR	3-Track MSR, USB Type		
	iButton	USB Type		
	Customer Display	LCM display 2 x 20 characters, USB Type		
	2nd Display	15.1" / 300 nits / 1024 x 768, VGA Type 11.6" / 250 nits / 1366 x 768, VGA Type		
	RFID	USB Type		
	Fingerprint	USB Type		
Mounting (Option)	VESA Mount 75 x 75 / 100 x 100			
Certificate	EMC & Safety	CE, FCC, LVD, BSMI, RoHS		CE, FCC, LVD, RoHS
	Operating Temperature	0°C ~ 35°C (32°F ~ 95°F)		
Environment	Storage Temperature	-20°C ~ 60°C (-4°F ~ 140°F)		
	Humidity	20% ~ 80% RH non-condensing		
Dimensions (WxDxH)	360 x 160 x 330 mm			
Weight	5.35 kgs			
OS Supported	Windows 10			Windows10 (64bit), Windows 11 (64bit)



Contact

3 Devonshire Business Park, Basingstoke, Hampshire, RG21 6XN, UK

+44 (0)1256 331 336

puk@poindus.com

Poindus